

Stainless Steel Clamping Levers with Eccentric Cam

with Internal Thread / with Threaded Stud,
Contact Plates Stainless Steel

SPECIFICATION

Types

- Type A: Stainless Steel contact plate with setting nut
- Type B: Stainless Steel contact plate without setting nut

Lever

Stainless steel
(precision casting) AISI CF-8

Axis, lag nut / screw

Setting nut and setting screw (only type A)

Stainless steel AISI 303

Contact plates

Stainless Steel AISI 431

Hardened



INFORMATION

Stainless steel clamping levers with eccentric cam GN 927.7 are used for rapid clamping and releasing. Hereby, contrary to a clamping operation via a thread, these levers permit a torque-free clamping.

The lever has been designed to ensure that its movement cannot exceed the max. clamping force. There are no loose components since they are all assembled and mounted in their correct order.

To achieve maximum clamping forces, the clamping surface is lightly greased and should be relubricated as required.

The type A has the following advantages:

The distance between the lever cam and the clamping surface is adjustable via a fine pitch thread, allowing the clamping position to be set easily with maximum clamping force. Also, the position of the lever relative to the clamping axis can be determined.

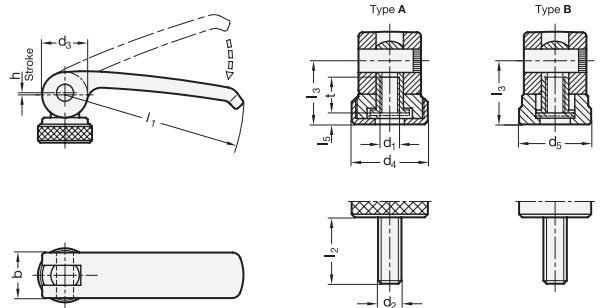
- Constructional Features (see page)
- Clamping and Manual Forces (see page)

ON REQUEST

- Clamping surface free of grease

TECHNICAL INFORMATION

- Stainless Steel Characteristics (see page A26)



GN 927.7-with Internal Thread

STAINLESS STEEL

Description	l ₁	d ₁	b	d ₃	d ₄	d ₅	h	l ₃	l ₄	l ₅	t	⚖
GN 927.7-44-M4-A	44	M 4	12	12	15	-	0.5	13.2	2	2.2	8	30
GN 927.7-44-M5-A	44	M 5	12	12	15	-	0.5	13.2	2	2.2	8	30
GN 927.7-63-M5-A	63	M 5	16	16	19	-	0.75	16.3	2.5	3	10	66
GN 927.7-63-M6-A	63	M 6	16	16	19	-	0.75	16.3	2.5	3	10	65
GN 927.7-82-M6-A	82	M 6	20	20	25	-	1	19.5	3	3.7	12	129
GN 927.7-82-M8-A	82	M 8	20	20	25	-	1	19.5	3	3.7	12	128
GN 927.7-101-M8-A	101	M 8	25	26	30	-	1.5	25.3	4	4.8	15	250
GN 927.7-101-M10-A	101	M 10	25	26	30	-	1.5	25.3	4	4.8	15	230
GN 927.7-44-M4-B	44	M 4	12	12	-	14	0.5	13.2	-	2.2	8	28
GN 927.7-44-M5-B	44	M 5	12	12	-	14	0.5	13.2	-	2.2	8	28
GN 927.7-63-M5-B	63	M 5	16	16	-	18.5	0.75	16.3	-	3	10	65
GN 927.7-63-M6-B	63	M 6	16	16	-	18.5	0.75	16.3	-	3	10	64
GN 927.7-82-M6-B	82	M 6	20	20	-	22.5	1	19.5	-	3.7	12	124
GN 927.7-82-M8-B	82	M 8	20	20	-	22.5	1	19.5	-	3.7	12	121
GN 927.7-101-M8-B	101	M 8	25	26	-	27	1.5	25.3	-	4.8	15	238
GN 927.7-101-M10-B	101	M 10	25	26	-	27	1.5	25.3	-	4.8	15	235

GN 927.7-with Threaded Stud

STAINLESS STEEL

Description	l1	d2	l2	b	d3	d4	d5	h	l3	l4	l5	⚖
GN 927.7-44-M4-12-A	44	M 4	12	12	12	15	-	0.5	13.2	2	2.2	32
GN 927.7-44-M4-16-A	44	M 4	16	12	12	15	-	0.5	13.2	2	2.2	32
GN 927.7-44-M4-20-A	44	M 4	20	12	12	15	-	0.5	13.2	2	2.2	31
GN 927.7-44-M4-25-A	44	M 4	25	12	12	15	-	0.5	13.2	2	2.2	33
GN 927.7-44-M4-30-A	44	M 4	30	12	12	15	-	0.5	13.2	2	2.2	33
GN 927.7-44-M5-12-A	44	M 5	12	12	12	15	-	0.5	13.2	2	2.2	31
GN 927.7-44-M5-16-A	44	M 5	16	12	12	15	-	0.5	13.2	2	2.2	34
GN 927.7-44-M5-20-A	44	M 5	20	12	12	15	-	0.5	13.2	2	2.2	36
GN 927.7-44-M5-25-A	44	M 5	25	12	12	15	-	0.5	13.2	2	2.2	36
GN 927.7-44-M5-30-A	44	M 5	30	12	12	15	-	0.5	13.2	2	2.2	36
GN 927.7-44-M5-35-A	44	M 5	35	12	12	15	-	0.5	13.2	2	2.2	38
GN 927.7-44-M5-40-A	44	M 5	40	12	12	15	-	0.5	13.2	2	2.2	36
GN 927.7-63-M5-16-A	63	M 5	16	16	16	19	-	0.75	16.3	2.5	3	69
GN 927.7-63-M5-20-A	63	M 5	20	16	16	19	-	0.75	16.3	2.5	3	70
GN 927.7-63-M5-25-A	63	M 5	25	16	16	19	-	0.75	16.3	2.5	3	70
GN 927.7-63-M5-30-A	63	M 5	30	16	16	19	-	0.75	16.3	2.5	3	70
GN 927.7-63-M5-35-A	63	M 5	35	16	16	19	-	0.75	16.3	2.5	3	71
GN 927.7-63-M5-40-A	63	M 5	40	16	16	19	-	0.75	16.3	2.5	3	72
GN 927.7-63-M5-50-A	63	M 5	50	16	16	19	-	0.75	16.3	2.5	3	72
GN 927.7-63-M6-16-A	63	M 6	16	16	16	19	-	0.75	16.3	2.5	3	69
GN 927.7-63-M6-20-A	63	M 6	20	16	16	19	-	0.75	16.3	2.5	3	70
GN 927.7-63-M6-25-A	63	M 6	25	16	16	19	-	0.75	16.3	2.5	3	70
GN 927.7-63-M6-30-A	63	M 6	30	16	16	19	-	0.75	16.3	2.5	3	71
GN 927.7-63-M6-35-A	63	M 6	35	16	16	19	-	0.75	16.3	2.5	3	42
GN 927.7-63-M6-40-A	63	M 6	40	16	16	19	-	0.75	16.3	2.5	3	73
GN 927.7-63-M6-50-A	63	M 6	50	16	16	19	-	0.75	16.3	2.5	3	75
GN 927.7-82-M6-20-A	82	M 6	20	20	20	25	-	1	19.5	3	3.7	135
GN 927.7-82-M6-25-A	82	M 6	25	20	20	25	-	1	19.5	3	3.7	136
GN 927.7-82-M6-30-A	82	M 6	30	20	20	25	-	1	19.5	3	3.7	137
GN 927.7-82-M6-35-A	82	M 6	35	20	20	25	-	1	19.5	3	3.7	138
GN 927.7-82-M6-40-A	82	M 6	40	20	20	25	-	1	19.5	3	3.7	139
GN 927.7-82-M6-50-A	82	M 6	50	20	20	25	-	1	19.5	3	3.7	140
GN 927.7-82-M6-60-A	82	M 6	60	20	20	25	-	1	19.5	3	3.7	142
GN 927.7-82-M8-20-A	82	M 8	20	20	20	25	-	1	19.5	3	3.7	139
GN 927.7-82-M8-25-A	82	M 8	25	20	20	25	-	1	19.5	3	3.7	140
GN 927.7-82-M8-30-A	82	M 8	30	20	20	25	-	1	19.5	3	3.7	141
GN 927.7-82-M8-35-A	82	M 8	35	20	20	25	-	1	19.5	3	3.7	143
GN 927.7-82-M8-40-A	82	M 8	40	20	20	25	-	1	19.5	3	3.7	144
GN 927.7-82-M8-50-A	82	M 8	50	20	20	25	-	1	19.5	3	3.7	146
GN 927.7-82-M8-60-A	82	M 8	60	20	20	25	-	1	19.5	3	3.7	150
GN 927.7-101-M8-20-A	101	M 8	20	25	26	30	-	1.5	25.3	4	4.8	262
GN 927.7-101-M8-25-A	101	M 8	25	25	26	30	-	1.5	25.3	4	4.8	264
GN 927.7-101-M8-30-A	101	M 8	30	25	26	30	-	1.5	25.3	4	4.8	266
GN 927.7-101-M8-35-A	101	M 8	35	25	26	30	-	1.5	25.3	4	4.8	267
GN 927.7-101-M8-40-A	101	M 8	40	25	26	30	-	1.5	25.3	4	4.8	266
GN 927.7-101-M8-50-A	101	M 8	50	25	26	30	-	1.5	25.3	4	4.8	272
GN 927.7-101-M8-60-A	101	M 8	60	25	26	30	-	1.5	25.3	4	4.8	273
GN 927.7-101-M10-20-A	101	M 10	20	25	26	30	-	1.5	25.3	4	4.8	267
GN 927.7-101-M10-25-A	101	M 10	25	25	26	30	-	1.5	25.3	4	4.8	267
GN 927.7-101-M10-30-A	101	M 10	30	25	26	30	-	1.5	25.3	4	4.8	271
GN 927.7-101-M10-35-A	101	M 10	35	25	26	30	-	1.5	25.3	4	4.8	272
GN 927.7-101-M10-40-A	101	M 10	40	25	26	30	-	1.5	25.3	4	4.8	277
GN 927.7-101-M10-50-A	101	M 10	50	25	26	30	-	1.5	25.3	4	4.8	280
GN 927.7-101-M10-60-A	101	M 10	60	25	26	30	-	1.5	25.3	4	4.8	286



3

Clamping levers



Clamping levers 3

GN 927.7-with Threaded Stud

STAINLESS STEEL

Description	l1	d2	l2	b	d3	d4	d5	h	l3	l4	l5	⚖
GN 927.7-44-M4-12-B	44	M 4	12	12	12	-	14	0.5	13.2	-	2.2	30
GN 927.7-44-M4-16-B	44	M 4	16	12	12	-	14	0.5	13.2	-	2.2	30
GN 927.7-44-M4-20-B	44	M 4	20	12	12	-	14	0.5	13.2	-	2.2	29
GN 927.7-44-M4-25-B	44	M 4	25	12	12	-	14	0.5	13.2	-	2.2	31
GN 927.7-44-M4-30-B	44	M 4	30	12	12	-	14	0.5	13.2	-	2.2	31
GN 927.7-44-M5-12-B	44	M 5	12	12	12	-	14	0.5	13.2	-	2.2	29
GN 927.7-44-M5-16-B	44	M 5	16	12	12	-	14	0.5	13.2	-	2.2	31
GN 927.7-44-M5-20-B	44	M 5	20	12	12	-	14	0.5	13.2	-	2.2	33
GN 927.7-44-M5-25-B	44	M 5	25	12	12	-	14	0.5	13.2	-	2.2	33
GN 927.7-44-M5-30-B	44	M 5	30	12	12	-	14	0.5	13.2	-	2.2	33
GN 927.7-44-M5-35-B	44	M 5	35	12	12	-	14	0.5	13.2	-	2.2	35
GN 927.7-44-M5-40-B	44	M 5	40	12	12	-	14	0.5	13.2	-	2.2	33
GN 927.7-63-M5-16-B	63	M 5	16	16	16	-	18.5	0.75	16.3	-	3	68
GN 927.7-63-M5-20-B	63	M 5	20	16	16	-	18.5	0.75	16.3	-	3	68
GN 927.7-63-M5-25-B	63	M 5	25	16	16	-	18.5	0.75	16.3	-	3	69
GN 927.7-63-M5-30-B	63	M 5	30	16	16	-	18.5	0.75	16.3	-	3	69
GN 927.7-63-M5-35-B	63	M 5	35	16	16	-	18.5	0.75	16.3	-	3	70
GN 927.7-63-M5-40-B	63	M 5	40	16	16	-	18.5	0.75	16.3	-	3	71
GN 927.7-63-M5-50-B	63	M 5	50	16	16	-	18.5	0.75	16.3	-	3	72
GN 927.7-63-M6-16-B	63	M 6	16	16	16	-	18.5	0.75	16.3	-	3	68
GN 927.7-63-M6-20-B	63	M 6	20	16	16	-	18.5	0.75	16.3	-	3	68
GN 927.7-63-M6-25-B	63	M 6	25	16	16	-	18.5	0.75	16.3	-	3	69
GN 927.7-63-M6-30-B	63	M 6	30	16	16	-	18.5	0.75	16.3	-	3	70
GN 927.7-63-M6-35-B	63	M 6	35	16	16	-	18.5	0.75	16.3	-	3	71
GN 927.7-63-M6-40-B	63	M 6	40	16	16	-	18.5	0.75	16.3	-	3	72
GN 927.7-63-M6-50-B	63	M 6	50	16	16	-	18.5	0.75	16.3	-	3	74
GN 927.7-82-M6-20-B	82	M 6	20	20	20	-	22.5	1	19.5	-	3.7	129
GN 927.7-82-M6-25-B	82	M 6	25	20	20	-	22.5	1	19.5	-	3.7	131
GN 927.7-82-M6-30-B	82	M 6	30	20	20	-	22.5	1	19.5	-	3.7	130
GN 927.7-82-M6-35-B	82	M 6	35	20	20	-	22.5	1	19.5	-	3.7	132
GN 927.7-82-M6-40-B	82	M 6	40	20	20	-	22.5	1	19.5	-	3.7	133
GN 927.7-82-M6-50-B	82	M 6	50	20	20	-	22.5	1	19.5	-	3.7	134
GN 927.7-82-M6-60-B	82	M 6	60	20	20	-	22.5	1	19.5	-	3.7	137
GN 927.7-82-M8-20-B	82	M 8	20	20	20	-	22.5	1	19.5	-	3.7	134
GN 927.7-82-M8-25-B	82	M 8	25	20	20	-	22.5	1	19.5	-	3.7	134
GN 927.7-82-M8-30-B	82	M 8	30	20	20	-	22.5	1	19.5	-	3.7	136
GN 927.7-82-M8-35-B	82	M 8	35	20	20	-	22.5	1	19.5	-	3.7	130
GN 927.7-82-M8-40-B	82	M 8	40	20	20	-	22.5	1	19.5	-	3.7	138
GN 927.7-82-M8-50-B	82	M 8	50	20	20	-	22.5	1	19.5	-	3.7	142
GN 927.7-82-M8-60-B	82	M 8	60	20	20	-	22.5	1	19.5	-	3.7	145
GN 927.7-101-M8-20-B	101	M 8	20	25	26	-	27	1.5	25.3	-	4.8	250
GN 927.7-101-M8-25-B	101	M 8	25	25	26	-	27	1.5	25.3	-	4.8	249
GN 927.7-101-M8-30-B	101	M 8	30	25	26	-	27	1.5	25.3	-	4.8	254
GN 927.7-101-M8-35-B	101	M 8	35	25	26	-	27	1.5	25.3	-	4.8	255
GN 927.7-101-M8-40-B	101	M 8	40	25	26	-	27	1.5	25.3	-	4.8	254
GN 927.7-101-M8-50-B	101	M 8	50	25	26	-	27	1.5	25.3	-	4.8	259
GN 927.7-101-M8-60-B	101	M 8	60	25	26	-	27	1.5	25.3	-	4.8	264
GN 927.7-101-M10-20-B	101	M 10	20	25	26	-	27	1.5	25.3	-	4.8	253
GN 927.7-101-M10-25-B	101	M 10	25	25	26	-	27	1.5	25.3	-	4.8	256
GN 927.7-101-M10-30-B	101	M 10	30	25	26	-	27	1.5	25.3	-	4.8	258
GN 927.7-101-M10-35-B	101	M 10	35	25	26	-	27	1.5	25.3	-	4.8	261
GN 927.7-101-M10-40-B	101	M 10	40	25	26	-	27	1.5	25.3	-	4.8	264
GN 927.7-101-M10-50-B	101	M 10	50	25	26	-	27	1.5	25.3	-	4.8	268
GN 927.7-101-M10-60-B	101	M 10	60	25	26	-	27	1.5	25.3	-	4.8	273